



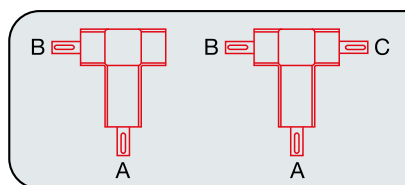
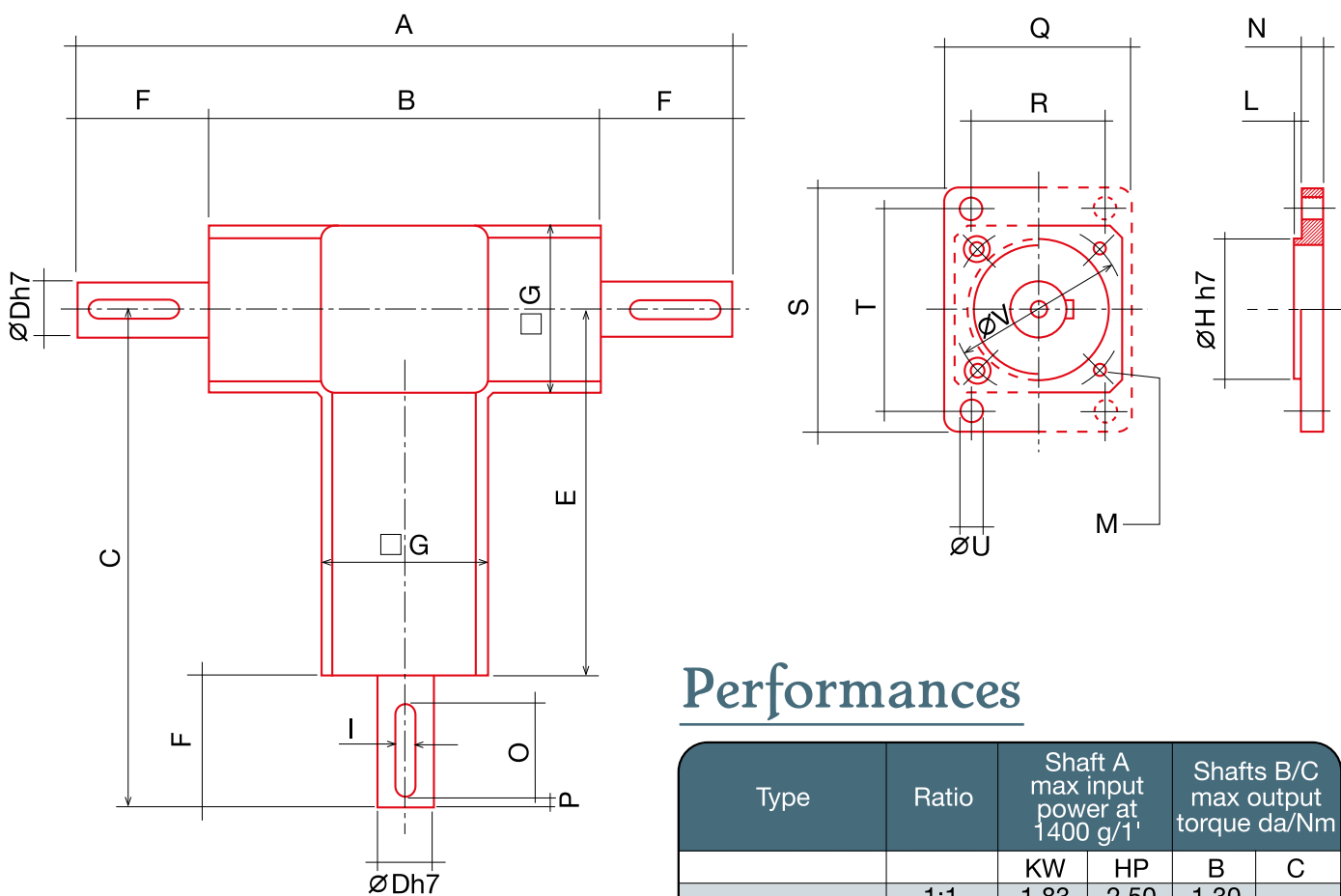
valuable technics : easy business



# Technical Data Sheet

## Stainless steel Right-Angle Gearboxes

### TK series



### Performances

Type	Ratio	Shaft A max input power at 1400 g/1'		Shafts B/C max output torque da/Nm	
		KW	HP	B	C
TK-15-2 shafts	1:1	1.83	2.50	1.30	
	1:2	0.50	0.68	0.70	
TK-15-3 shafts	1:1	1.83	2.50	0.65	0.65
	1:2	0.50	0.68	0.35	0.35
TK-20-2 shafts	1:1	5.50	7.50	3.80	
	1:2	1.83	2.50	2.50	
TK-20-3 shafts	1:1	5.50	7.50	1.90	1.90
	1:2	1.83	2.50	1.25	1.25



MODEL N.	A	B	C	D	E	F	G	H	I	L	M	N	O	P	Q	R	S	T	U	V
TK-15	178	106	119,5	15*	83,5	36	45	38	5	2	M4	6	25	3	50	36	66	52	7	46,5
TK-20	250	138	190	20**	134	56	60	56	6	2	M5	6	40	5	73	54	95	76	9	66

\* D 14mm on request \*\* D 19mm on request

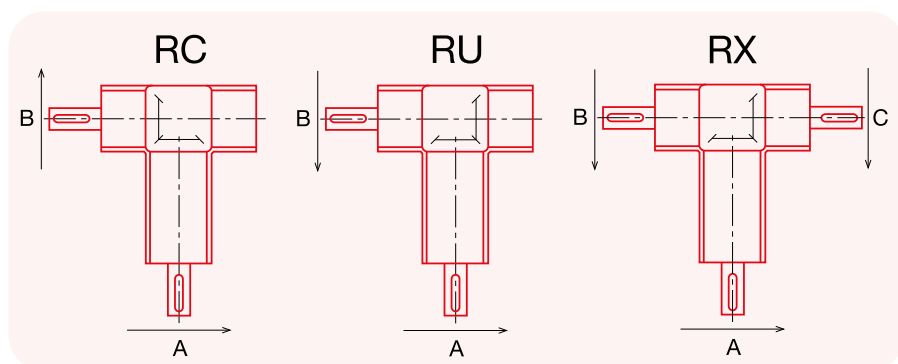


# Technical Data Sheet

## Stainless steel Right-Angle Gearboxes

### TK series

### Shafts rotation scheme



### Ordering code

TK	15	2V	1	1F	RU
----	----	----	---	----	----

**Size**  
15 - 20

**Shafts**  
2V (2 shafts) - 3V (3 shafts)

**Ratios**  
1 (1:1) - 2 (1:2)

**Flanges**  
1F (1 flange) - 2F (2 flanges) - 3F (3 flanges)  
in case of less flanges than shafts, indicate on which shafts (A, B, C) the flanges must be mounted

**Shafts rotation scheme**  
RC - RU - RX

