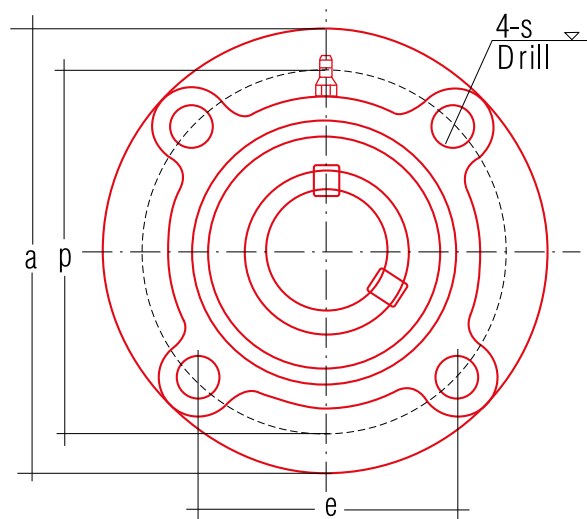
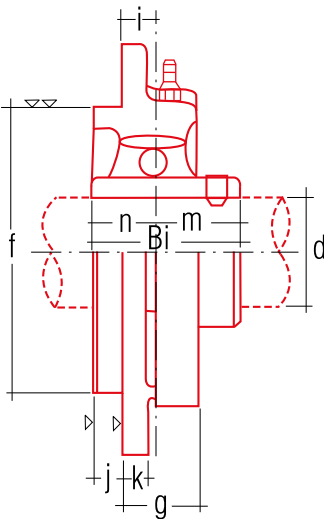




Technical Data Sheet

Stainless steel Pillow blocks

UCFC 200



| MODEL N. | mm | a | p | e | i | l | s | j | k | g | f | z | Bi | n | m | bolt used | kg |
|----------|----|---------|--------|--------|-------|------|----|-------|-------|--------|-----|--------|------|------|------|-----------|------|
| UCFC 201 | 12 | | | | | | | | | | | | | | | | |
| UCFC 202 | 15 | 100.012 | 78.184 | 55.116 | 9.922 | 25.4 | 12 | 5.159 | 7.144 | 20.638 | 62 | 28,575 | 31 | 12.7 | 18.4 | 10 | 0.6 |
| UCFC 203 | 17 | | | | | | | | | | | | | | | | |
| UCFC 204 | 20 | 100 | 78 | 55.1 | 10 | 25.5 | 12 | 5 | 7 | 20.5 | 62 | 28.3 | 31 | 12.7 | 18.3 | 10 | 0.72 |
| UCFC 205 | 25 | 115 | 90 | 63.6 | 10 | 27 | 12 | 6 | 7 | 21 | 70 | 29.7 | 34.1 | 14.3 | 19.8 | 10 | 0.98 |
| UCFC 206 | 30 | 128 | 100 | 70.7 | 10 | 31 | 12 | 8 | 8 | 23 | 80 | 32.2 | 38.1 | 15.9 | 22.2 | 10 | 1.3 |
| UCFC 207 | 35 | 135 | 110 | 77.8 | 11 | 34 | 14 | 8 | 9 | 26 | 90 | 36.4 | 42.9 | 17.5 | 25.4 | 12 | 1.8 |
| UCFC 208 | 40 | 145 | 120 | 84.8 | 11 | 36 | 14 | 10 | 9 | 26 | 100 | 41.2 | 49.2 | 19.0 | 30.2 | 12 | 2.0 |
| UCFC 209 | 45 | 160 | 132 | 93.3 | 10 | 38 | 16 | 12 | 14 | 26 | 105 | 40.2 | 49.2 | 19.0 | 30.2 | 14 | 2.9 |
| UCFC 210 | 50 | 165 | 138 | 97.6 | 10 | 40 | 16 | 12 | 14 | 28 | 110 | 42.6 | 51.6 | 19.0 | 32.6 | 14 | 2.9 |
| UCFC 211 | 55 | 185 | 150 | 106.1 | 13 | 43 | 19 | 12 | 15 | 31 | 125 | 46.4 | 55.6 | 22.2 | 33.4 | 16 | 4.5 |
| UCFC 212 | 60 | 195 | 160 | 113.1 | 17 | 48 | 19 | 12 | 15 | 36 | 135 | 56.7 | 65.1 | 25.4 | 39.7 | 16 | 5.1 |